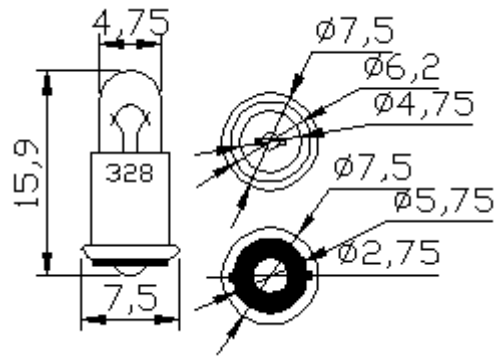


Dimension:

Product Code: FLA000001



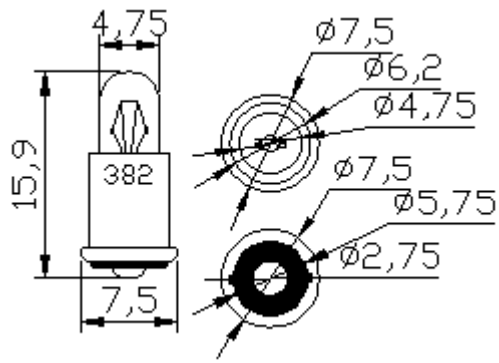
Specification:

PART NO	Input Voltage	Power consumption	Luminous flux	Tungsten shape	Life
	(V)	(MA)	(Lm)		(H)
FLANGE-MINI 4.75MM 328	6	200	7.5	C-2R	1000



Dimension:

Product Code: FLA000002



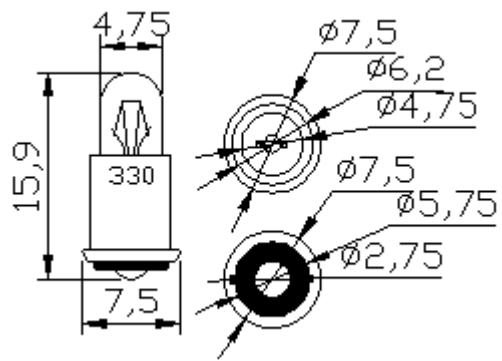
Specification:

PART NO	Input Voltage	Power consumption	Luminous flux	Tungsten shape	Life
	(V)	(MA)	(Lm)		(H)
FLANGE-MINI 4.75MM 382	14	80	3.8	C-2F	10000



Dimension:

Product Code: FLA000003



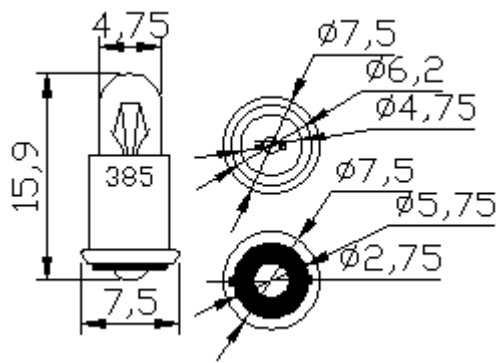
Specification:

PART NO	Input Voltage	Power consumption	Luminous flux	Tungsten shape	Life
	(V)	(MA)	(Lm)		(H)
FLANGE-MINI 4.75MM 330	14	80	6.2	C-2F	1500



Dimension:

Product Code: FLA000004



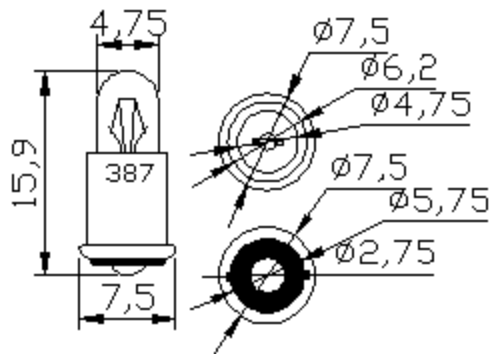
Specification:

PART NO	Input Voltage	Power consumption	Luminous flux	Tungsten shape	Life
	(V)	(MA)	(Lm)		(H)
FLANGE-MINI 4.75MM 385	28	40	1.8	C-2F	10000



Dimension:

Product Code: FLA000005



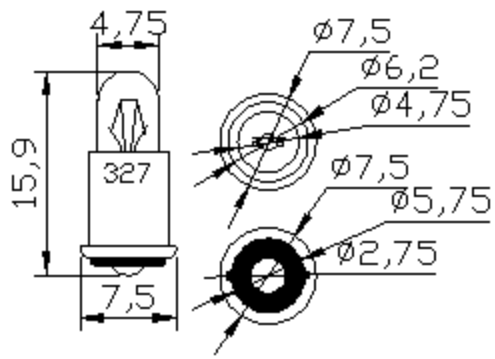
Specification:

PART NO	Input Voltage	Power consumption	Luminous flux	Tungsten shape	Life
	(V)	(MA)	(Lm)		(H)
FLANGE-MINI 4.75MM 387	28	40	3.8	C-2F	10000



Dimension:

Product Code: FLA000006



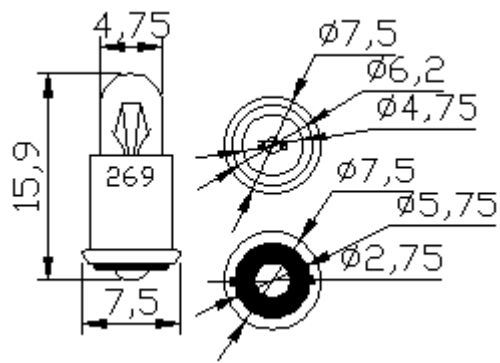
Specification:

PART NO	Input Voltage	Power consumption	Luminous flux	Tungsten shape	Life
	(V)	(MA)	(Lm)		(H)
FLANGE-MINI 4.75MM 327	28	40	4.3	C-2F	4000



Dimension:

Product Code: FLA000007



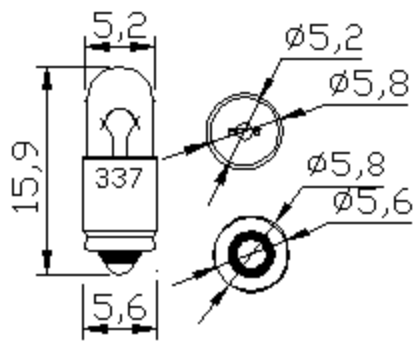
Specification:

PART NO	Input Voltage	Power consumption	Luminous flux	Tungsten shape	Life
	(V)	(MA)	(Lm)		(H)
FLANGE-MINI 4.75MM 269	32	40	3.8	C-2F	4000



Dimension:

Product Code: GRO00001



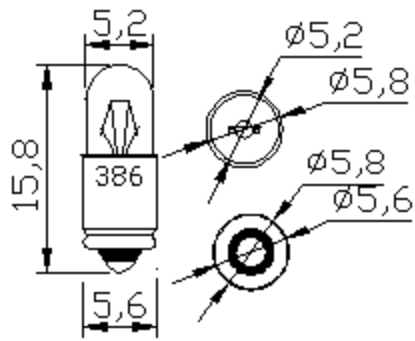
Specification:

PART NO	Input Voltage	Power consumption	Luminous flux	Tungsten shape	Life
	(V)	(ma)	(Lm)		(H)
Groove-MINI 5.2MM 337	6	200	7.5	C-2R	1000



Dimension:

Product Code: GRO00002



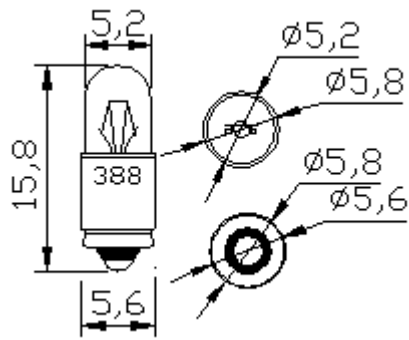
Specification:

PART NO	Input Voltage	Power consumption	Luminous flux	Tungsten shape	Life
	(V)	(ma)	(Lm)		(H)
Groove-MINI 5.2MM 386	14	80	3.8	C-2F	15000



Dimension:

Product Code: GRO00003



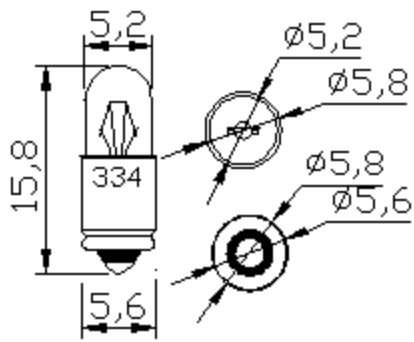
Specification:

PART NO	Input Voltage	Power consumption	Luminous flux	Tungsten shape	Life
	(V)	(ma)	(Lm)		(H)
Groove-MINI 5.2MM 388	28	40	3.8	C-2F	7000



Dimension:

Product Code: GRO00004



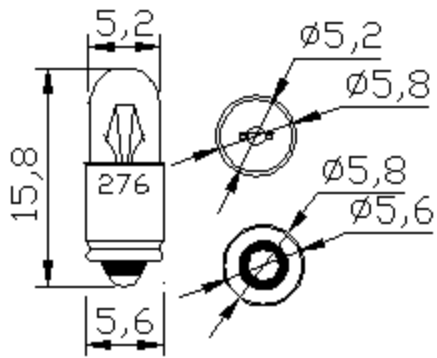
Specification:

PART NO	Input Voltage	Power consumption	Luminous flux	Tungsten shape	Life
	(V)	(ma)	(Lm)		(H)
Groove-MINI 5.2MM 334	28	40	4.3	C-2F	4000



Dimension:

Product Code: GRO00005



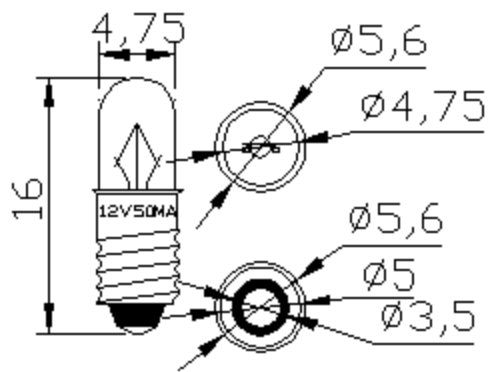
Specification:

PART NO	Input Voltage	Power consumption	Luminous flux	Tungsten shape	Life
	(V)	(ma)	(Lm)		(H)
Groove-MINI 5.2MM 276	28	60	4.3	C-2F	10000



Dimension:

Product Code: E500001



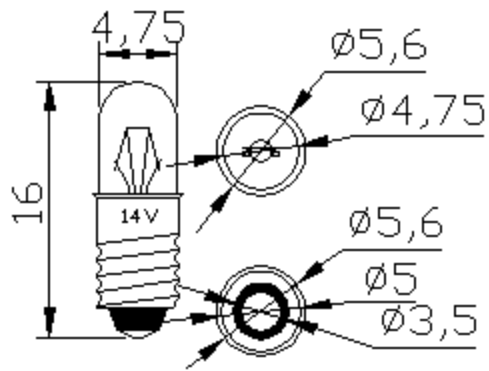
Specification:

PART NO	Input Voltage	Power consumption	Luminous flux	Tungsten shape	Life
	(V)	(ma)	(Lm)		(H)
E5-MINI 4.75MM 12V50MA	12	50	1.5	C-2V	10000



Dimension:

Product Code: E500002



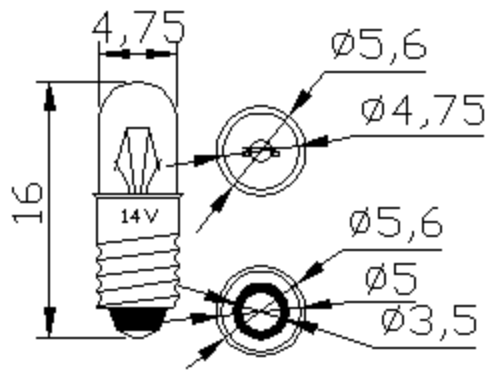
Specification:

PART NO	Input Voltage	Power consumption	Luminous flux	Tungsten shape	Life
	(V)	(ma)	(Lm)		(H)
E5-MINI 4.75MM 14V80MA	14	80	6.3	C-2F	1500



Dimension:

Product Code: E500003



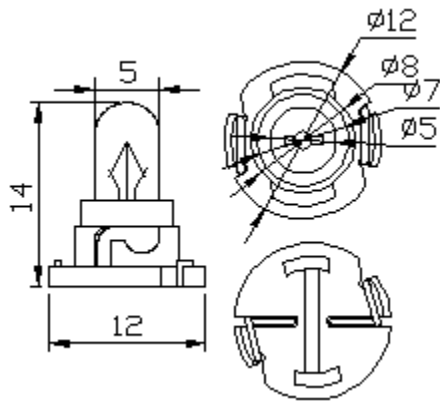
Specification:

PART NO	Input Voltage	Power consumption	Luminous flux	Tungsten shape	Life
	(V)	(ma)	(Lm)		(H)
E5-MINI 4.75MM 14V80MA	14	80	3.8	C-2F	10000



Dimension:

Product Code: NEO00001



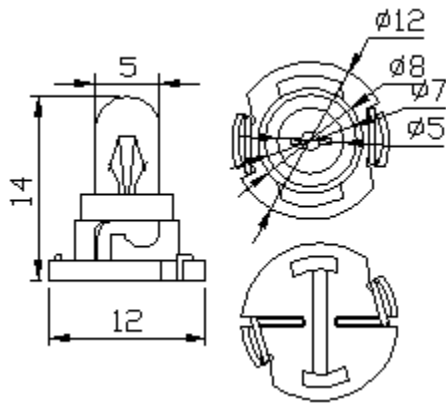
Specification:

PART NO	Input Voltage	Power consumption	Luminous flux	Tungsten shape	Life
	(V)	(ma)	(Lm)		(H)
NEO WEDGE-MINI 5MM	12	50	1.5	C-2V	10000



Dimension:

Product Code: NEO00002



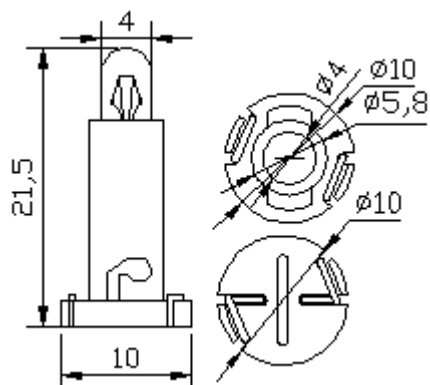
Specification:

PART NO	Input Voltage	Power consumption	Luminous flux	Tungsten shape	Life
	(V)	(ma)	(Lm)		(H)
NEO WEDGE-MINI 5MM	14	80	3.8	C-2F	10000



Dimension:

Product Code: NEO00003



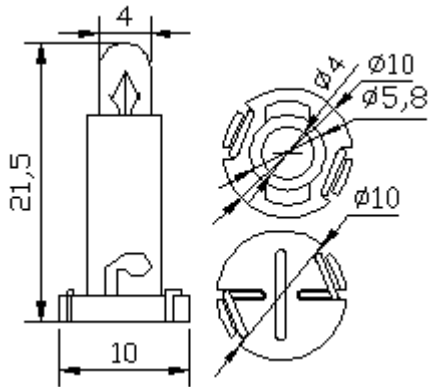
Specification:

PART NO	Input Voltage	Power consumption	Luminous flux	Tungsten shape	Life
	(V)	(ma)	(Lm)		(H)
NEO WEDGE-MINI 4MM	14	80	3.8	C-2F	10000



Dimension:

Product Code: NEO00004



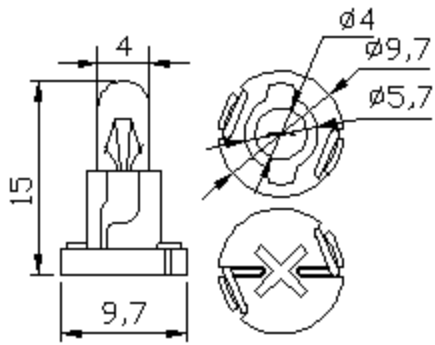
Specification:

PART NO	Input Voltage	Power consumption	Luminous flux	Tungsten shape	Life
	(V)	(ma)	(Lm)		(H)
NEO WEDGE-MINI 4MM	12	50	1.5	C-2V	10000



Dimension:

Product Code: NEO00005



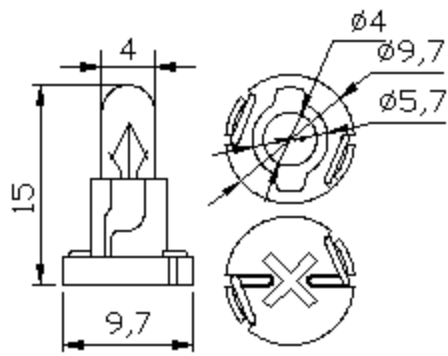
Specification:

PART NO	Input Voltage	Power consumption	Luminous flux	Tungsten shape	Life
	(V)	(ma)	(Lm)		(H)
NEO WEDGE-MINI 4MM	24	50	3	C-2F	10000



Dimension:

Product Code: NEO00006



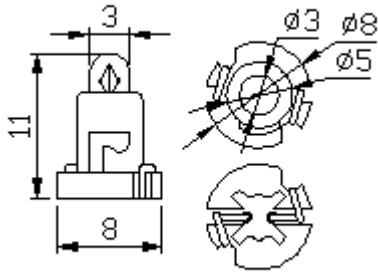
Specification:

PART NO	Input Voltage	Power consumption	Luminous flux	Tungsten shape	Life
	(V)	(ma)	(Lm)		(H)
NEO WEDGE-MINI 4MM	12	50	1.5	C-2V	10000



Dimension:

Product Code: NEO00007



Specification:

PART NO	Input Voltage	Power consumption	Luminous flux	Tungsten shape	Life
	(V)	(ma)	(Lm)		(H)
NEO WEDGE-MINI 3MM	12	50	1.5	C-2V	7000

