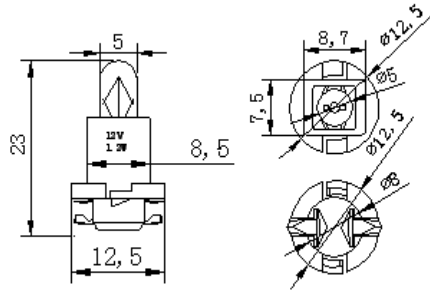


Dimension:



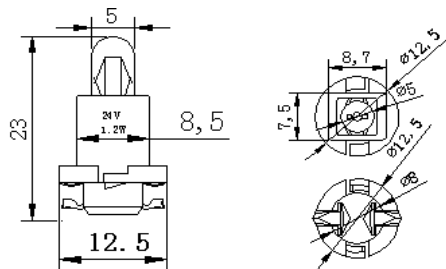
Product Code: B8X000001



Specification:

PART NO	Input Voltage	Power consumption	Luminous flux	Color temperature
	(V)	(W)	(Lm)	(K)
B8. 0D (BAX) -MINI	12	1.2	5	2500-3000

Dimension:



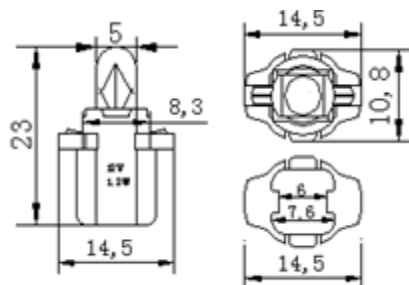
Product Code: B8X000002



Specification:

PART NO	Input Voltage	Power consumption	Luminous flux	Color temperature
	(V)	(W)	(Lm)	(K)
B8. 0D (BAX) -MINI	24	1.2	5	2500-3000

Dimension:



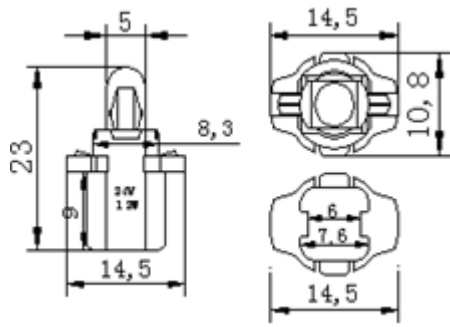
Product Code: B8X000003



Specification:

PART NO	Input Voltage	Power consumption	Luminous flux	Color temperature
	(V)	(W)	(Lm)	(K)
B8. 3D-MINI	12	1.2	5	2500-3000

Dimension:



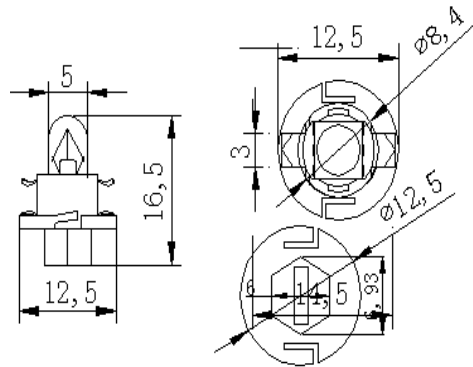
Product Code: B8X000004



Specification:

PART NO	Input Voltage	Power consumption	Luminous flux	Color temperature
	(V)	(W)	(Lm)	(K)
B8. 3D-MINI	24	1.2	5	2500-3000

Dimension:



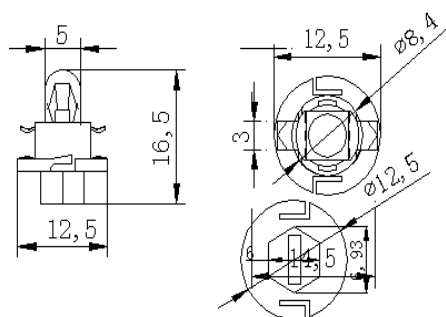
Product Code: B8X000005



Specification:

PART NO	Input Voltage	Power consumption	Luminous flux	Color temperature
	(V)	(W)	(Lm)	(K)
B8. 4D-MINI	12	1.2	5	2500-3000

Dimension:



Product Code: B8X000006

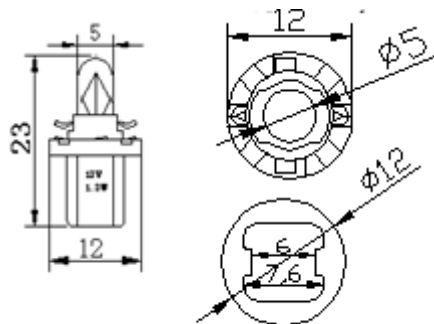


Specification:

PART NO	Input Voltage	Power consumption	Luminous flux	Color temperature
	(V)	(W)	(Lm)	(K)

B8. 4D-MINI	24	1.2	5	2500-3000
-------------	----	-----	---	-----------

Dimension:



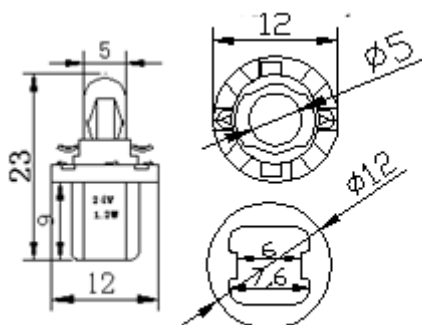
Product Code: B8X000007



Specification:

PART NO	Input Voltage	Power consumption	Luminous flux	Color temperature
	(V)	(W)	(Lm)	(K)
B8. 5D-MINI	12	1.2	5	2500-3000

Dimension:



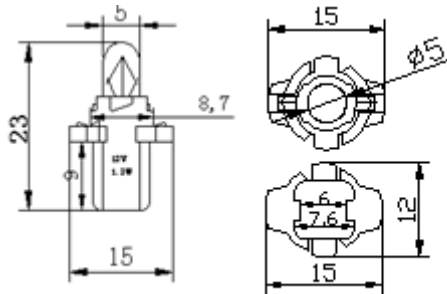
Product Code: B8X000008



Specification:

PART NO	Input Voltage	Power consumption	Luminous flux	Color temperature
	(V)	(W)	(Lm)	(K)
B8. 5D-MINI	24	1.2	5	2500-3000

Dimension:



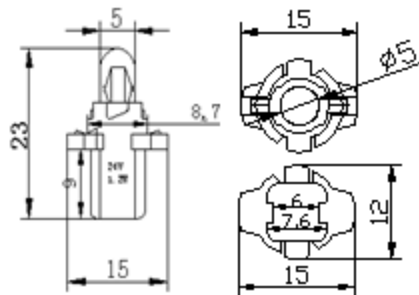
Product Code: B8X000009



Specification:

PART NO	Input Voltage	Power consumption	Luminous flux	Color temperature
	(V)	(W)	(Lm)	(K)
B8. 7D-MINI	12	1.2	5	2500-3000

Dimension:



Product Code: B8X000010



Specification:

PART NO	Input Voltage	Power consumption	Luminous flux	Color temperature
	(V)	(W)	(Lm)	(K)
B8. 7D-MINI	24	1.2	5	2500-3000